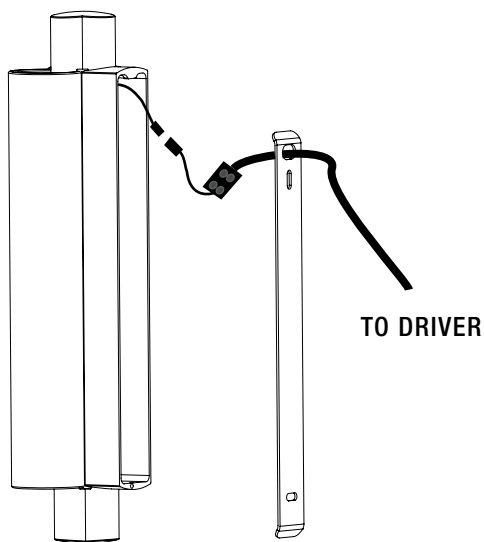


Installation Care

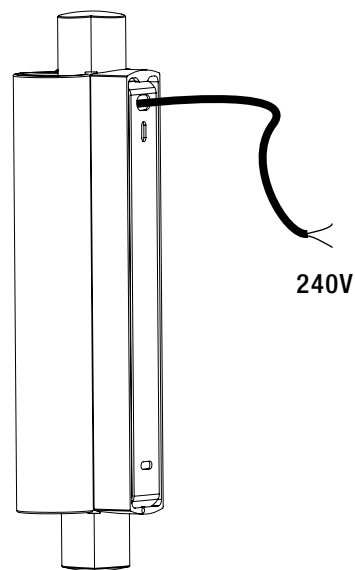
Please note: Fittings are delicate, so handle with care, avoid knocking, rubbing or scratching the surface finish.

1. Always use gloves when handling the pendant, the frosted surface of the glass attracts oils and can be difficult to remove these marks.
2. Anodised surfaces can be abrasive, take care not to allow products to abrade one another.

REMOTE DRIVER 1



INTEGRATED DRIVER 2



1.1 REMOTE DRIVER (skip to 2.1 for intergrated driver)

NOTE: Flex entry into light is located at the top of the fitting, keep this in mind when drilling holes for power entry. Drill a hole in wall that is the minimum size to allow flex from driver to pass through, **MAXIMUM 22MM**. Bring flex out this hole. Pass bracket over flex as shown.



METROPOL WALL LIGHT INSTALLATION INSTRUCTIONS

Rakumba

SKU - RP-E-2003

REVISION 19.06.20

REVISED BY: TH

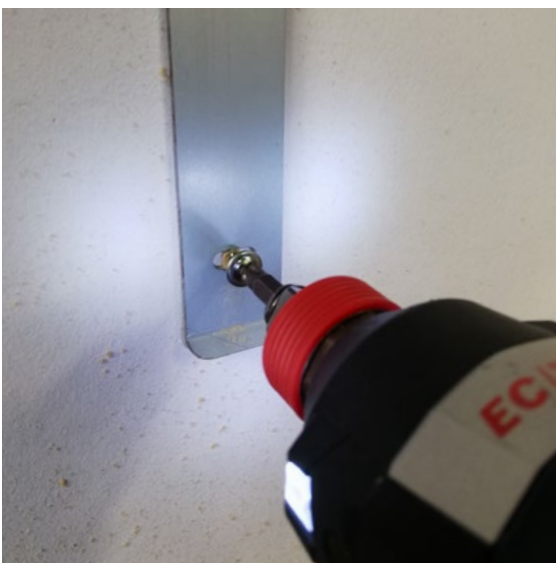
1.2 Install screw in bracket, adjust tolerance by sliding up along slot to cover hole.



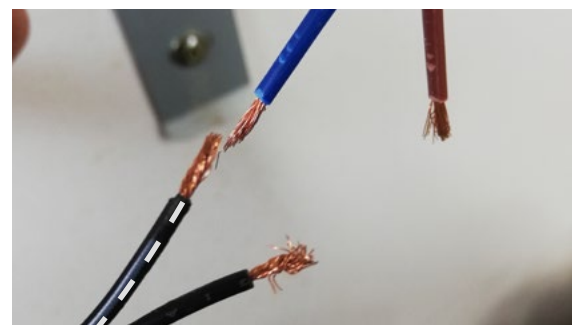
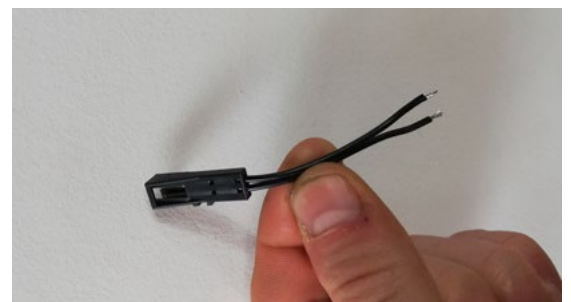
1.3 Use level to ensure straightness.



1.4 Once straight, install lower screw to secure.



Connect positive and negatives of supplied female clip. Dotted white line indicates negative.



METROPOL WALL LIGHT INSTALLATION INSTRUCTIONS

SKU - RP-E-2003

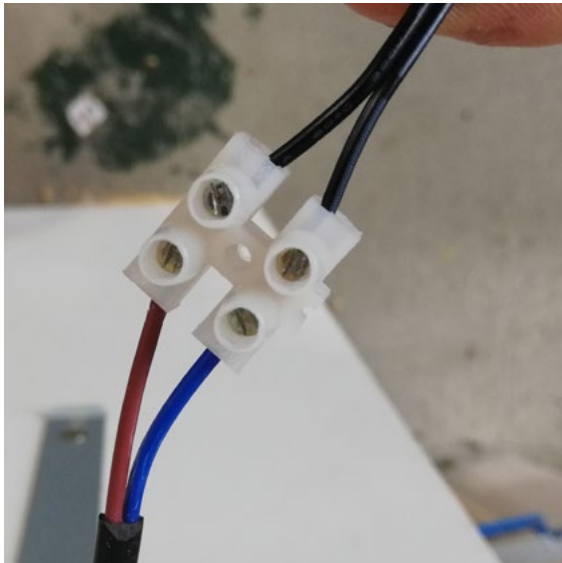
REVISION 19.06.20

REVISED BY: TH

Rakumba

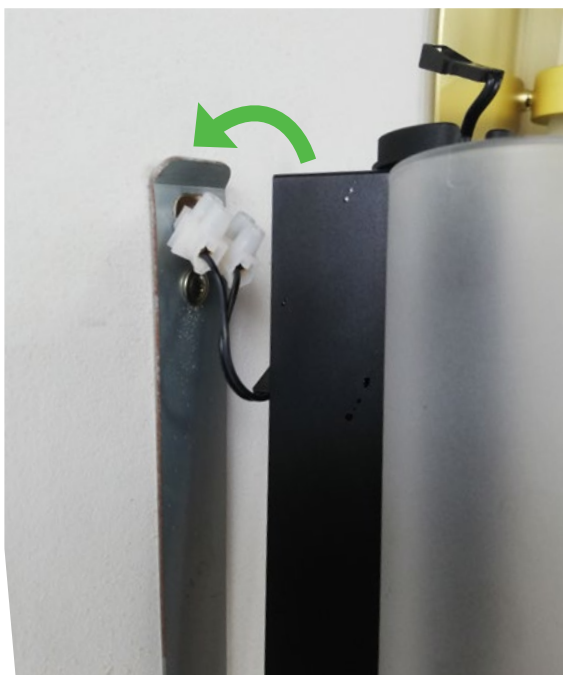
1.5

feed excess flex back into wall



1.6

Hook top of fitting over wall bracket.



1.7

lower the bottom onto the bracket.



METROPOL

WALL LIGHT

INSTALLATION INSTRUCTIONS

SKU - RP-E-2003

REVISION 19.06.20

REVISED BY: TH

Rakumba

1.8

Tighten grub screw until fitting is secured. Ensure straightness.



1.9

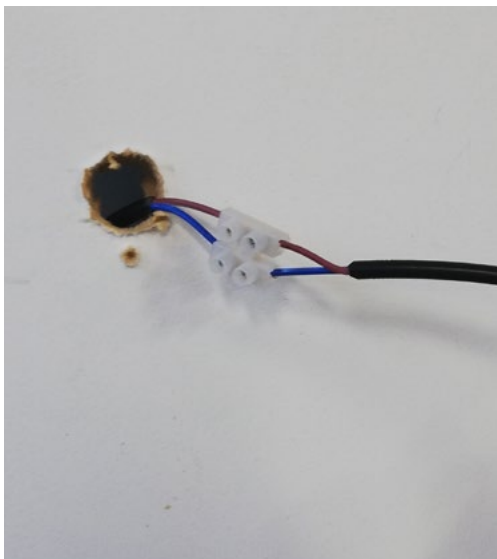
Test illuminate.



2.1

INTERGRATED DRIVER

NOTE: Flex entry into light is located at the top of the fitting, keep in mind when drilling holes for power entry. Drill hole in wall that is the minimum size to allow termination through, **MAXIMUM 22MM**. Bring flex out this hole. Connect mains flex to pendant.



2.2

Free bracket by loosening grub screw in base of fitting until it can be removed down flex. Push termination into wall and screw bracket to wall.



METROPOL WALL LIGHT INSTALLATION INSTRUCTIONS

Rakumba

SKU - RP-E-2003

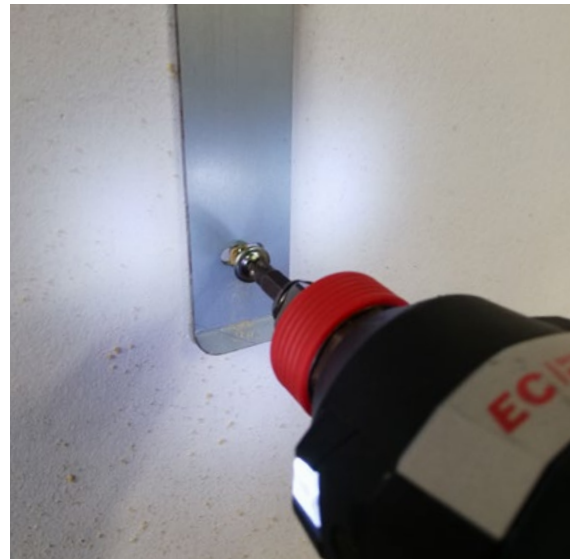
REVISION 19.06.20

REVISED BY: TH

2.3 Use level to ensure straightness.



2.4 Once straight, install lower screw to secure.



2.5 Hook top of fitting over wall bracket.



2.6 lever the bottom onto the bracket.



METROPOL

WALL LIGHT

INSTALLATION INSTRUCTIONS

SKU - RP-E-2003

REVISION 19.06.20

REVISED BY: TH

Rakumba

2.7

Tighten grub screw until fitting is secured. Ensure straightness.

Test illuminate.

