

RP-E-1804

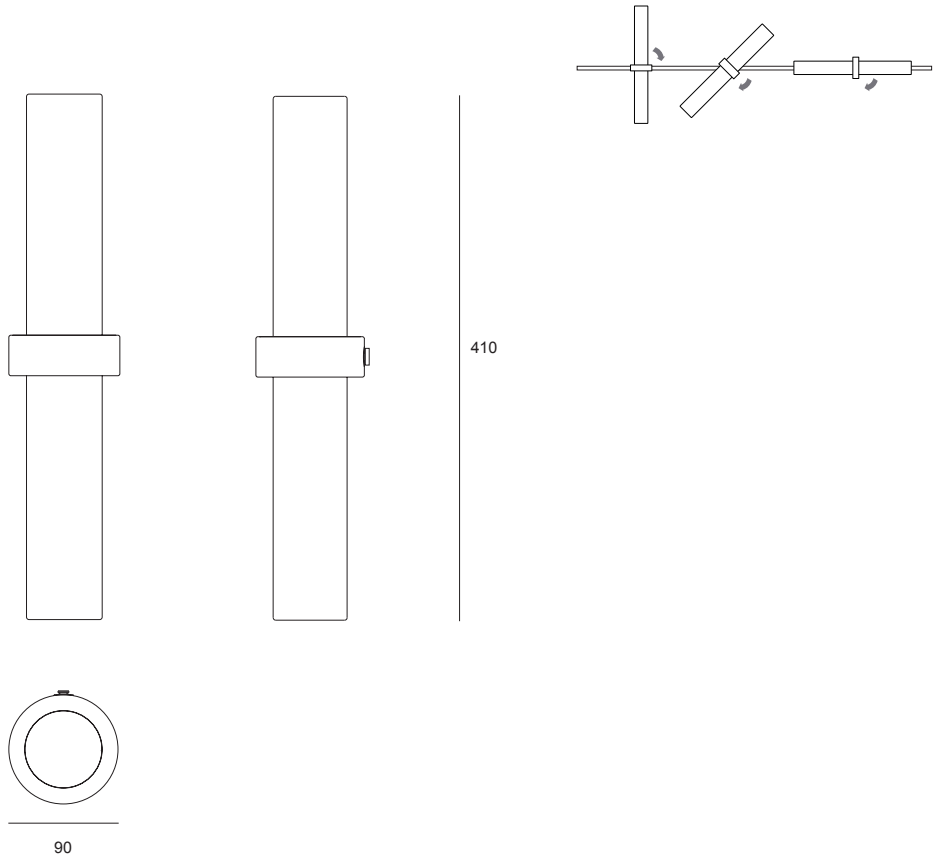
**Typography CILON Staff**



# Typography CILON STAFF

## SELECTION 1 - DIMENSIONS

### CILON STAFF



DIMENSIONS IN MILLIMETRES

## SELECTION 2 - FINISH

*Black Anodised*

*Golden Anodised*

## PRODUCT TECHNICAL SPECIFICATION

NAME:	CILON STAFF	MATERIALS & FINISH:	ANODISED ALUMINIUM // GLASS DIFFUSER
DESIGN:	STUDIO TRULY TRULY X RAKUMBA	LIGHT SOURCE:	INTEGRATED TRIDONIC LED MODULE // 6W // 700lm (MODULE) // 2700K // CRI90
STYLE:	AREA ILLUMINATION		POWERED FROM 48VDC RAIL (REFER TYPOGRAPHY SYSTEM DATA SHEET)
WEIGHT:	680g	DIMMING:	OPTION - SWITCH-DIM (ALL LUMINAIRE ON A SHARED CIRCUIT DIM TOGETHER) OPTION - DALI (INDEPENDENT LUMINAIRE OR SUBGROUP DIMMING ON A SHARED CIRCUIT)
		SUSPENSION:	TYPOGRAPHY RAIL // WALL MOUNT (REFER TO SYSTEM DATA SHEET)



Studio Truly Truly is a design studio operating from the Netherlands, founded by Australian designers Joel & Kate Booy. Positioned on the interface between industry and art, the studio specialises in creating artistic products for the living environment.

Rakumba has been producing custom-made feature lighting for the Australian design industry since 1968. Collaborating with designers across a wide range of sectors from commercial to residential, we take pride in our bespoke service, attention to design detailing and ability to deliver on any scale of project.

©2018 Rakumba Lighting Pty Ltd