

RP-E-1418P

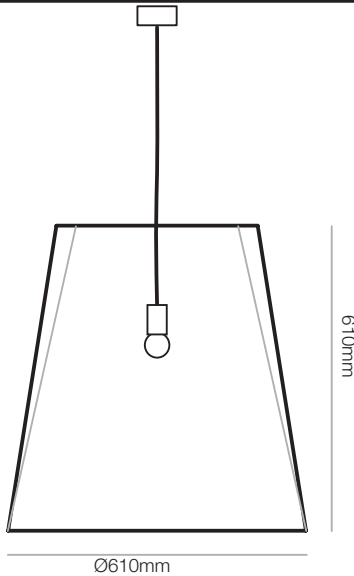
Canterbury Pendant



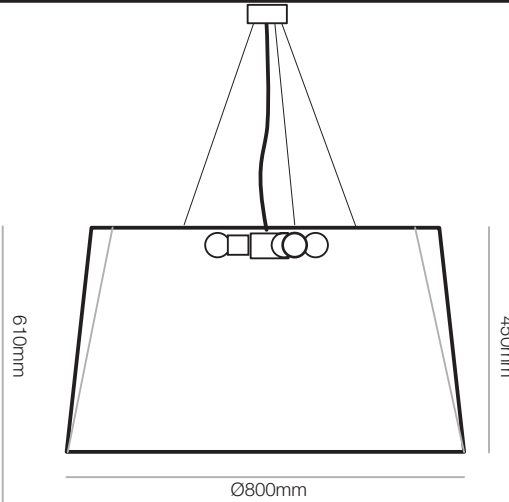
Canterbury Pendant

DIMENSIONS

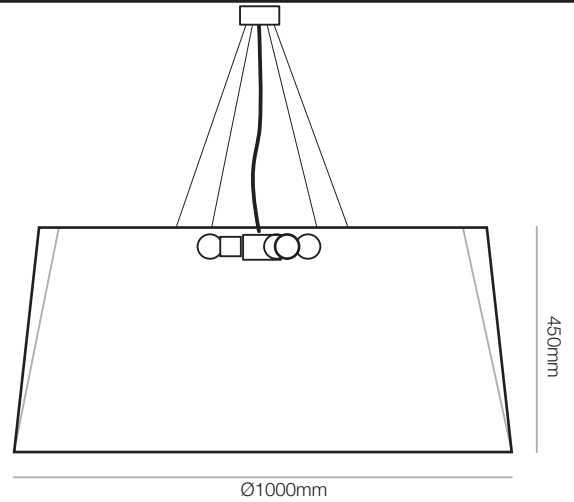
CANTERBURY600



CANTERBURY800



CANTERBURY1000



DIMENSIONS ARE FULLY CUSTOMISABLE

PRODUCT TECHNICAL SPECIFICATION

NAME:	CANTERBURY
STYLE:	PENDANT
MATERIALS & FINISH:	EXTERIOR - MATERIAL FROM RAKUMBA SELECTION OR CUSTOM BONDED FABRIC INTERIOR - CUSTOMER SPECIFIED SILK, HAND MADE RUFFLE PLEAT DIFFUSER - OPTIONAL FLOATING DIFFUSER
LIGHT SOURCE:	CANTERBURY600 - 1 X E27 // 240v // LED OR CFL GLOBES RECOMMENDED MAX. 24W CANTERBURY800 - 3 X E27 HUB // 240v // LED OR CFL GLOBES RECOMMENDED MAX. 24W CANTERBURY1000 - 3 X E27 HUB // 240v // LED OR CFL GLOBES RECOMMENDED MAX. 24W OPTIONAL - 2 x TRIDONIC LED DISKS (UP+DOWN CONFIG.) //240V DRIVER // 29.2W PER DISK // 3800lm PER DISK // 3000K
SUSPENSION:	CANTERBURY600 - BRAIDED TEXTILE FLEX // SEAMLESS CANOPY CANTERBURY800 & 1000 - STEEL CABLES // BRAIDED TEXTILE FLEX // SEAMLESS CANOPY

Rakumba has been producing custom-made feature lighting for the Australian design industry since 1968. Collaborating with designers across a wide range of sectors from commercial to residential, we take pride in our bespoke service, attention to design detailing and ability to deliver on any scale of project.