

RP-E-1802

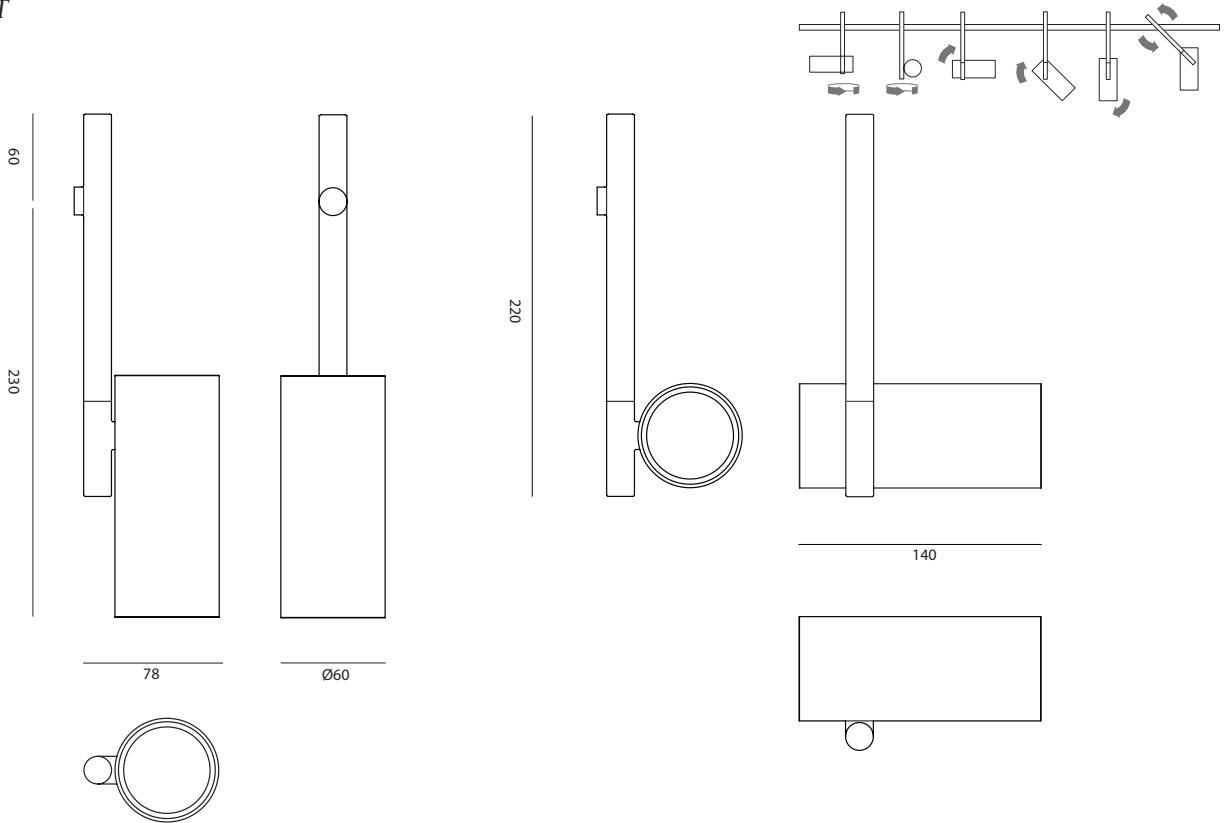
Typography CILON Spot



Typography CILON SPOT

SELECTION 1 - DIMENSIONS

CILON SPOT



DIMENSIONS IN MILLIMETRES

SELECTION 2 - FINISH

Black Anodised

Golden Anodised

PRODUCT TECHNICAL SPECIFICATION

NAME:	CILON SPOT	LIGHT SOURCE:	INTEGRATED XICATO XTM LES19 ARTIST SERIES // 20W // 2140lm (MODULE) // 2700K // CRI98
DESIGN:	STUDIO TRULY TRULY	POWER SUPPLY RAIL:	POWERED FROM 48VDC TYPOGRAPHY RAIL (REFER TYPOGRAPHY SYSTEM DATA SHEET)
STYLE:	SPOT	DIMMING RAIL:	STANDARD CAPABILITY - SWITCH-DIM (ALL LIGHTS ON A RAIL DIM TOGETHER) STANDARD CAPABILITY - DALI (EACH LIGHT ON A RAIL DIMS INDEPENDENTLY)
WEIGHT:	430g		ON REQUEST - 0-10V (ALL LIGHTS ON A RAIL DIM TOGETHER)
BEAM ANGLE:	35° (STANDARD) // 50° // 70°		ON REQUEST - TRIDONIC CASAMBI WIRELESS BASICDIM (4 PRESET SUBGROUPS DIM INDEPENDENTLY)
MATERIALS & FINISH:	ANODISED ALUMINIUM	MOUNTING:	TYPGRAPHY RAIL (REFER TO SYSTEM DATA SHEET)



Studio Truly Truly is a design studio operating from the Netherlands, founded by Australian designers Joel & Kate Booy. Positioned on the interface between industry and art, the studio specialises in creating artistic products for the living environment.

Rakumba has been producing custom-made feature lighting for the Australian design industry since 1968. Collaborating with designers across a wide range of sectors from commercial to residential, we take pride in our bespoke service, attention to design detailing and ability to deliver on any scale of project.

©2018 Rakumba Lighting Pty Ltd