

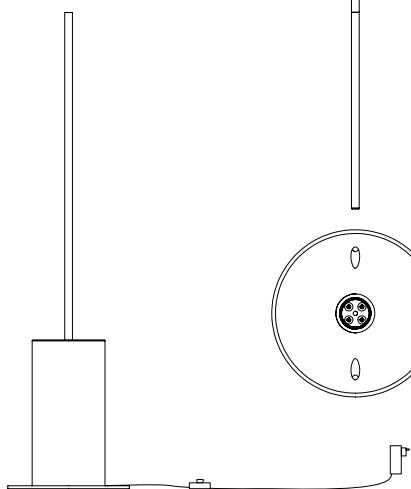
MITO - Floor INSTALLATION INSTRUCTIONS

CODE - RP-E-1702

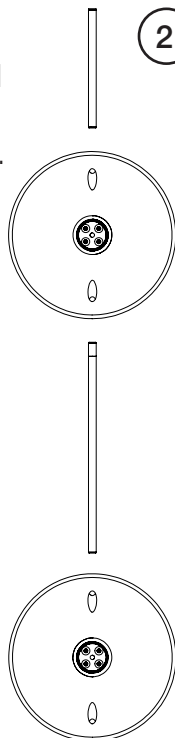
REVISION 09.11.17 REVISED BY: KM

Rakumba

- ① Remove cover plate and loosen screws with Hex key as per below image.



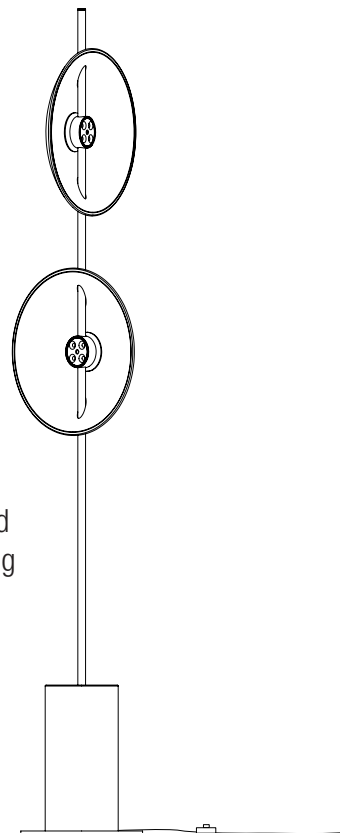
- ② Carefully pass base rod through the oval shade hole, taking care to maintain a straight alignment.



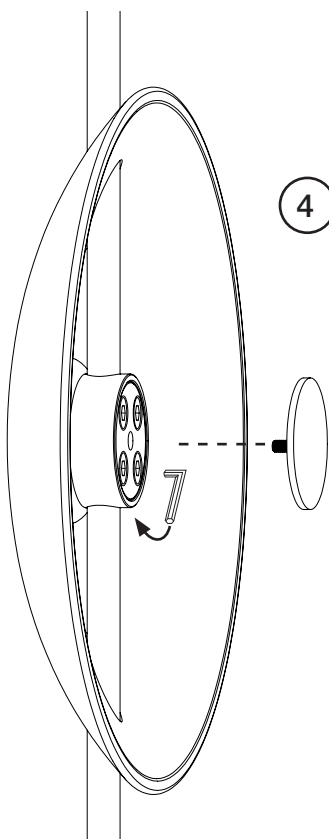
Plug the rod end into the central hub, ensuring engagement before releasing.

Repeat for the Mid-Rod, Top Shade and Top-Rod.

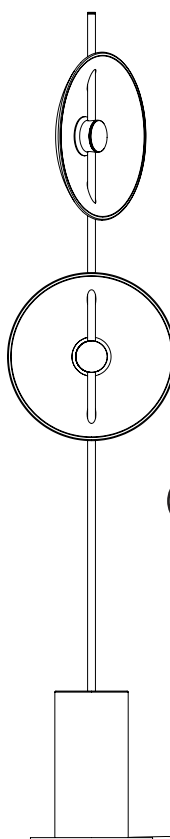
- ③ Rotate shades to desired position before tightening screws.



- ④ Evenly tighten 4x clamp screws with Hex key and replace cover plate.



- ⑤ Plug in Mito and use foot switch to turn on.
To adjust swivel position, remove coverplate and temporarily loosen screws.
Always loosen screws before swiveling, always tighten screws once adjusted.



- ⑥ **FOOT SWITCH CONTROLS**
Single brief press -> On/Off
Press and hold -> Dim Up/Down
Long press when off -> On at minimum output